

# Auth-Chimes

5935 Corporate Drive  
Manhattan, KS 66503  
(800) 275-1747 • Fax (800) 275-5081

## Installation Instructions Non-Electric Chime

Catalog No. 68710x-01 is designed for mounting on doors, or walls 3/8" to 4-3/4" thick.

Catalog Nos. 68410x-01, 68510x-01, 68610x-01, are designed for mounting on doors, or walls 3/8" to 2" thick.

Fire-rated viewers (UL) are available for Catalog Nos. 68510x-01xx, 68610x-01xx and 690-1xx. Replace last 2 xx with UL to order.

### Material Enclosed for all units

- Chime Base and Cover
- Faceplate
- Actuating Shaft with Pushbutton
- Blank Nameplate(s)
- Six (6) #6 x 3/8" Mounting Screws

### Additional materials needed for 68510x-01xx & 68910x-01

- Three (3) 10-32 x 2-1/4" studs
- Three (3) 10-32 x 2-1/4" studs

### Additional materials needed for all except 68510x-01xx

- Blank name card(s)

### Important

- Read instructions thoroughly before proceeding with installation
- Trim proper paper template. (per Cat. No.)
- Follow instructions carefully.

1

Instructions for:  
Catalog No. 68410x-01  
Catalog No. 68610x-01xx

### Step No. 1 (from outside of door)

- Place template on **outside** of door, locating hole "C" or "D" approximately 58" from finished floor.

#### Be sure template is parallel to edge of door.

- Drill pilot holes "A", and "C" or "D" through door using a 3/32" diam. drill bit.
- Drill two (2) hole "B"s, approximately 1/4" deep, using a 3/32" diam. drill bit.
- Remove template.
- Drill hole "A" through door using a 3/8" diam. drill bit.
- For Non UL Viewers, drill hole "D" through door using a 13/16" diam. drill bit.
- For optional UL Viewers (68610x-01UL only), drill hole "C" through door using a 9/16" diam. drill bit.

### Step No. 2 (from inside of door)

- Remove cover from chime base (see page 9).
- Place chime base (mechanism down) on inside of door. Align raised guide on flat side of chime base into previously drilled 3/8" diam. hole "A" (see Fig. A).

#### Be sure base is parallel to edge of door.

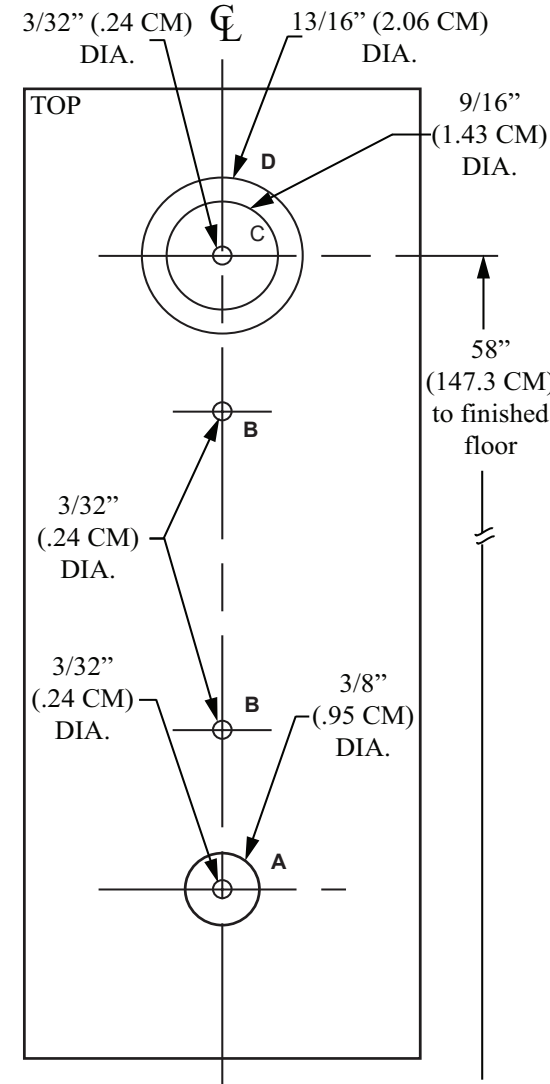
- Drill three (3) holes (#1, #2, & #3 – see Fig D), approximately 1/4" deep, through base with a 3/32" diam. drill bit.
- Mount chime base using three (3) #6 x 3/8" screws provided.

### Step No. 3 (see Fig. A, Fig. B, Fig. C, and Fig. D)

- Pull hinge pin downward (to just below slot in hinged lever) to enable actuating shaft to pass through hinged lever.
- From outside of door, insert actuating shaft with button through 3/8" diam. hole and hinged lever.
- Place faceplate over pushbutton and mount using two (2) #6 x 3/8" screws provided.
- From inside of door, push actuating shaft outward, so that button projects as far as possible through faceplate. While holding shaft in this position, press upward on hinge pin, rotating pin away from base so that end of pin engages into nearest hole on shaft. Push hinge pin upward to limit stop.

For steps No. 4 and 5 – See page 9

2



Front of Door Template for:  
Catalog No. 68410x-01 & No. 68610x-01xx

3

Instructions for:  
Catalog No. 68710x-01  
Catalog No. 690-1xx

### Step No. 1 (from outside of door)

- For 68710x-01 place template on **outside** of door, locating hole "A" approximately 55" to 60" from the finished floor.
- For 690-1xx place template on **outside** of door, locating hole "C" approximately 57" from the finished floor.

#### Be sure template is parallel to edge of door.

- Drill pilot holes "A", or "A" and "C" through door using a 3/32" diam. drill bit.
- For 68710x-01 drill one (1) hole "B", approximately 1/4" deep, using a 3/32" diam. drill bit.
- Remove template.
- Drill hole "A" through door using a 3/8" diam. drill bit.
- For 690-1xx only (with or without UL Viewer), drill hole "C" through door using a 9/16" diam. drill bit.

### Step No. 2 (from inside of door)

- Remove cover from chime base (see page 9).
- Place chime base (mechanism up) on inside of door (or wall). Align raised guide on flat side of chime base into previously drilled 3/8" diam. hole "A" (see Fig. A).

#### Be sure base is parallel to edge of door.

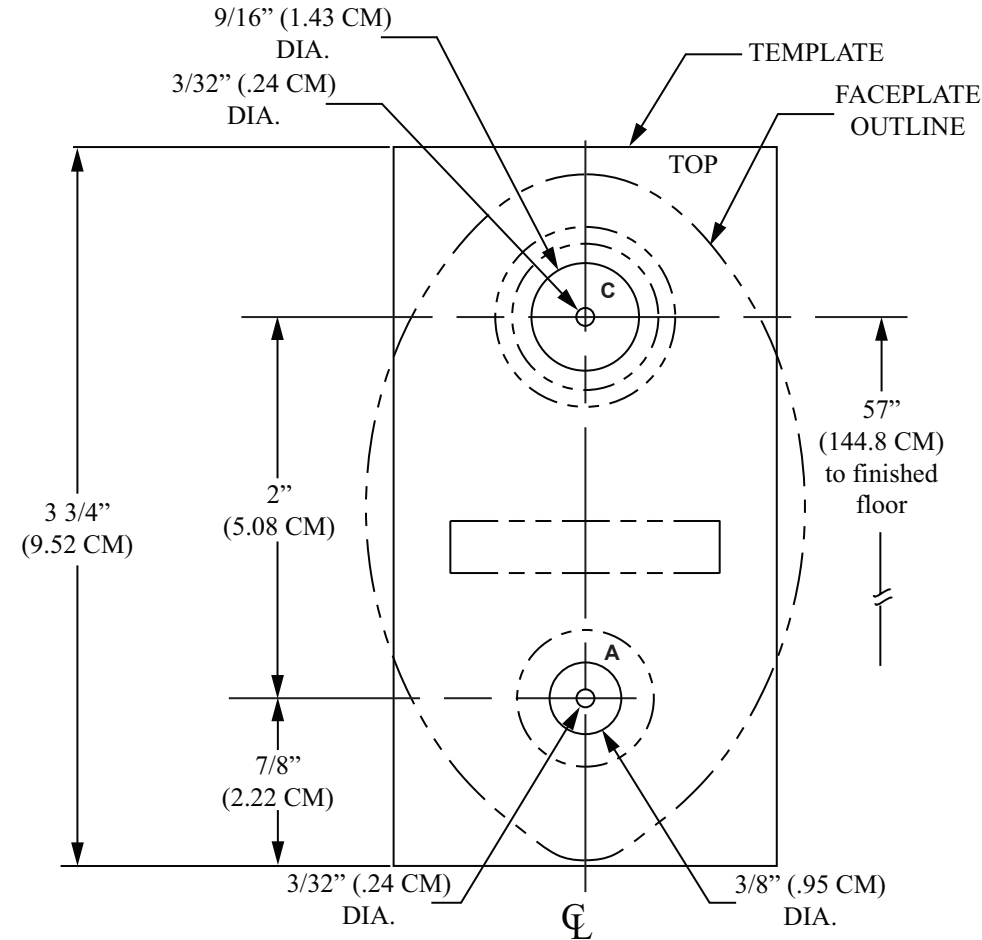
- Drill three (3) holes (#1, #2, and #3 – see Fig D), approximately 1/4" deep, through base with a 3/32" diam. drill.
- Mount chime base using three (3) #6 x 3/8" screws provided.

### Step No. 3 (see Fig. A, Fig. B, Fig. C, and Fig. D)

- Pull hinge pin downward (to just below slot in hinged lever) to enable actuating shaft to pass through hinged lever.
- From outside of door, insert actuating shaft with button through 3/8" diam. hole and hinged lever.
- Place faceplate over pushbutton.
- For 68710x-01, mount using one (1) #6 x 3/8" screw provided. 690-1xx will be held on with Viewer.
- From inside of door, push actuating shaft outward, so that button projects as far as possible through faceplate. While holding shaft in this position, press upward on hinge pin, rotating pin away from base so that end of pin engages into nearest hole on shaft. Push hinge pin upward to limit stop.

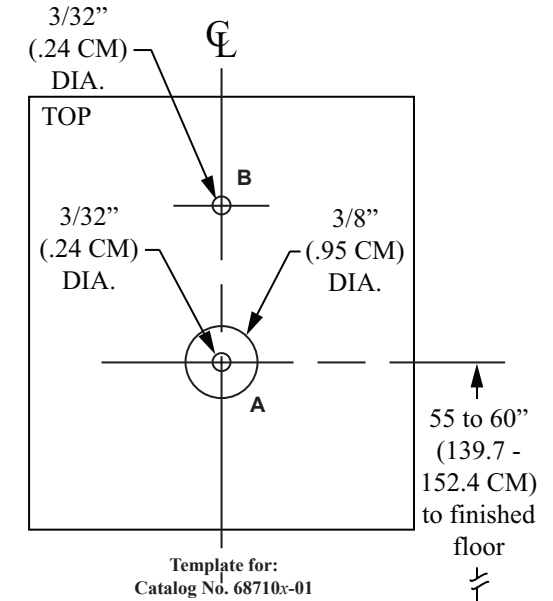
For steps No. 4 and 5 – See page 9

4



Front of Door Template for:  
Catalog No. 690-1xx

5



Template for:  
Catalog No. 68710x-01

6

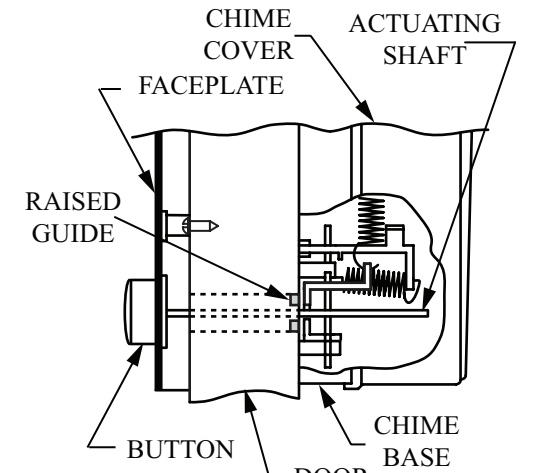


Fig A

7

**Step No. 1**

- Place template on **outside** of door, locating hole "B" approximately 58" from finished floor.
- Be sure template is parallel to edge of door.**
- Drill five (5) pilot holes "A" and "B" through door using 3/32" drill bit.
- Remove template.
- Drill four (4) holes "A" through door using a 3/8" diam. drill bit.
- Drill hole "B" through door using a 1-1/2" diam. hole saw.

**Step No. 2**

- Tighten three (3) threaded rods into tapped holes at rear of faceplate (not pictured).
- Remove cover from chime base (see page 9).
- Pull hinge pin downward (to limit stop) to enable actuating shaft to pass through hinged lever (see Fig. A).

**Step No. 3** (see Fig. A, Fig. B, Fig. C, and Fig. D)

- From outside of door, insert actuating shaft with button through previously drilled 3/8" diam. hole "A" (second from bottom).
- Place faceplate over pushbutton allowing three (3) threaded rods to pass through holes in door.
- From inside of door, mount chime base (mechanism down). Chime base holes (#1, #2, #3) will align with three (3) threaded rods, actuating shaft will pass through hinged lever. Place three (3) hex nuts provided onto threaded rods, and tighten.
- From inside of door, push actuating shaft outward, so that button projects as far as possible through faceplate. While holding the shaft in this position, press upward on hinge pin, rotating pin away from base so that end of pin engages into nearest hole on the shaft. Push hinge pin upward to limit stop.

For steps No. 4 and 5 – See page 9

**Chime installation is now completed. Press and release pushbutton. Both notes should sound satisfactorily.**

**Step No. 4**

- Adjustment** – If adjustment is required, the hinged lever must be bent as shown in Fig. D. Use the tip of a screwdriver to bend prong "A" or "B" forward or backward as required.

**Step No. 5**

- Break off excess length of actuating shaft at score line closest to hinge pin.
- Attach cover to chime base (see below).

**To Remove Cover**

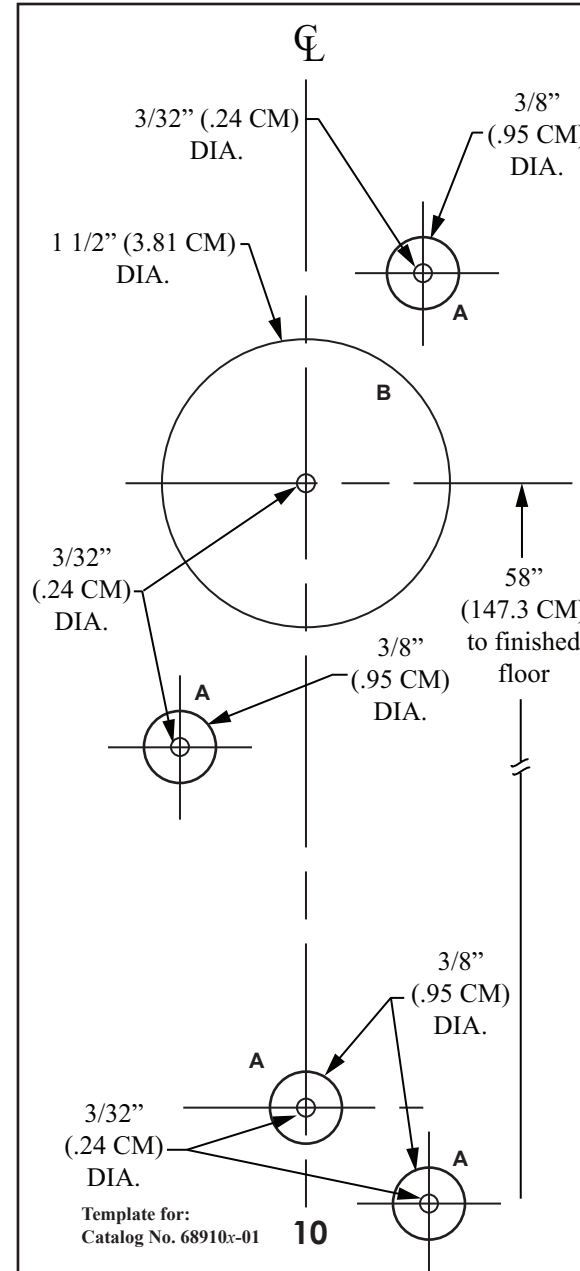
- Hold chime base (cover-slotted end up) with finger through large hole.
- Grasp lower end of cover with other hand, pull downward and tilt lower end away from base.

**To Attach Cover**

- Place cover over chime base.
- Engage long tab into open slot.
- Tilt cover toward base until short tab engages into blind slot.

**To Reverse Cover Slide Direction**

- Remove cover (see above).
- Remove rubber bumper from inside of cover and move bumper to mounting base, on the opposite end.
- Remove spring and reinstall it on the mounting pegs opposite those on which it was originally mounted.
- Replace cover (see above).



Template for:  
Catalog No. 68910x-01

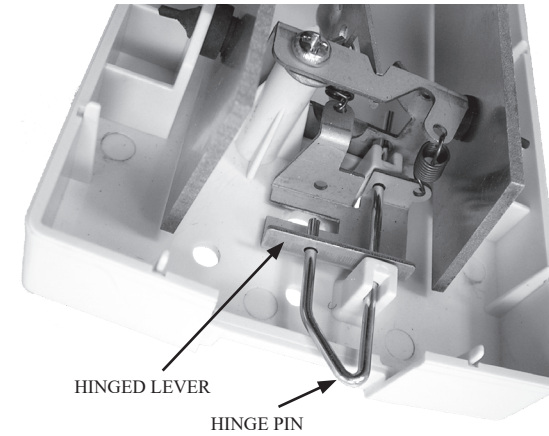


Fig. B

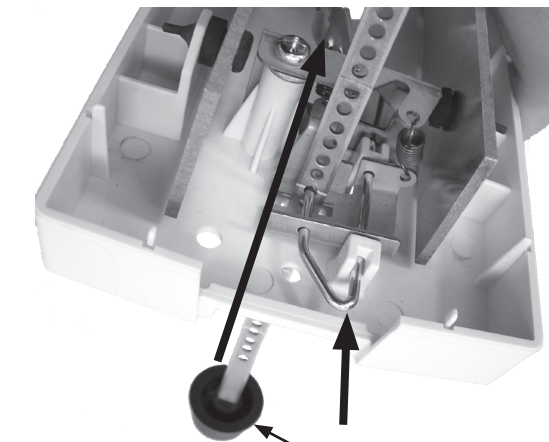


Fig. C

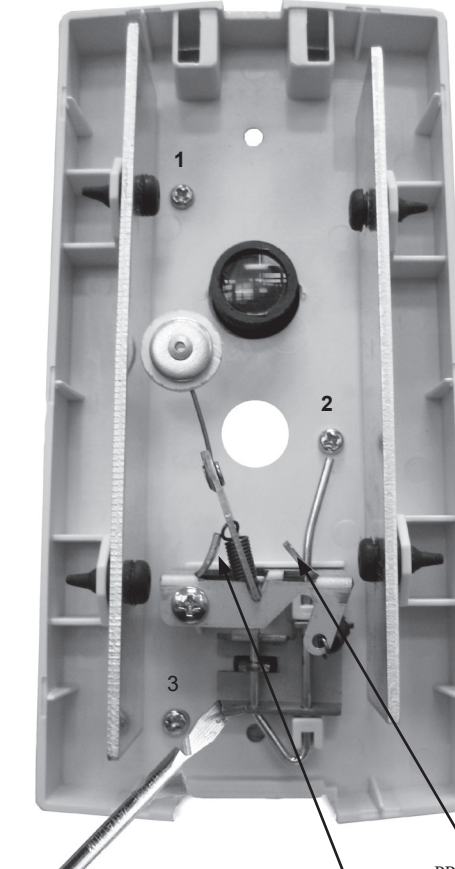
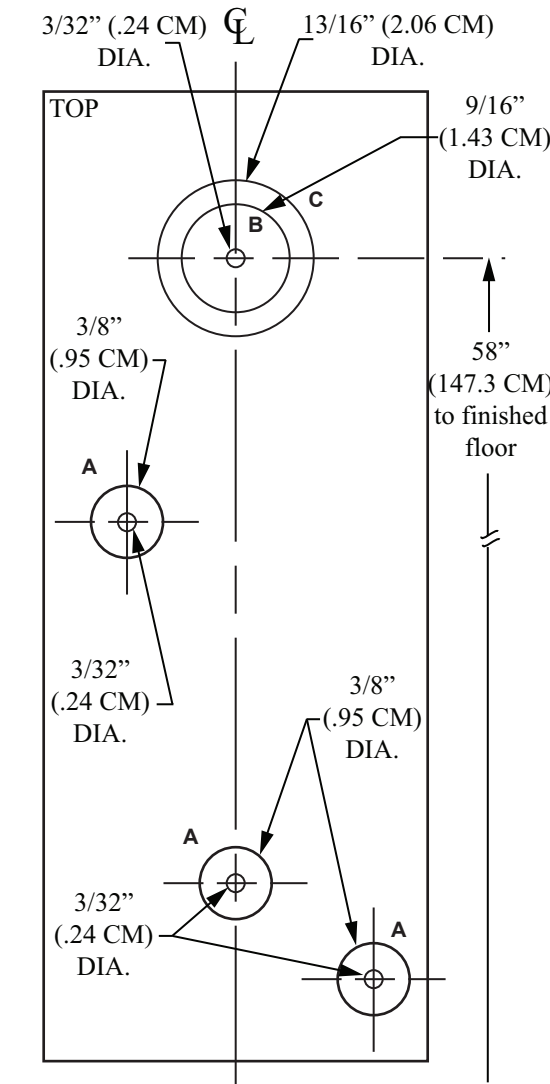


Fig. D



Template for:  
Catalog No. 68510x-01xx

**Step No. 1**

- Place template on **outside** of door, locating hole "B" approximately 58" from finished floor.
- Make sure template is parallel to edge of door.**
- Drill four (4) pilot holes "A", and "B" or "C" through door using a 3/32" diam. drill bit.
- Remove template.
- Drill three (3) holes "A" through door using a 3/8" diam. drill bit.
- For Non UL Viewers, drill hole "C" through door using a 13/16" diam. drill bit.
- For UL Viewers, drill hole "B" through door using a 9/16" diam. drill bit.

**Step No. 2**

- Tighten two (2) threaded rods into tapped holes at rear of faceplate (not pictured).
- Remove cover from chime base (see page 9).
- Pull hinge pin downward (to limit stop) to enable actuating shaft to pass through hinged lever.

**Step No. 3** (see Fig. A, Fig. B, Fig. C, and Fig. D)

- From outside of door, insert actuating shaft with button through previously drilled 3/8" diam. hole "A" (second from bottom).
- Place faceplate over pushbutton allowing two (2) threaded rods to pass through holes in door.
- From inside of door, mount chime base (mechanism down). Chime base holes (Fig. D #2 & #3) will align with two (2) threaded rods, actuating shaft will pass through hinged lever. Place three (3) hex nuts provided onto threaded rods and tighten.
- From inside of door, push actuating shaft outward, so that button projects as far as possible through faceplate. While holding shaft in this position, press upward on hinge pin, rotating pin away from base so that end of pin engages into nearest hole on shaft. Push hinge pin upward to limit stop.

For Steps No. 4 and 5 – See page 9